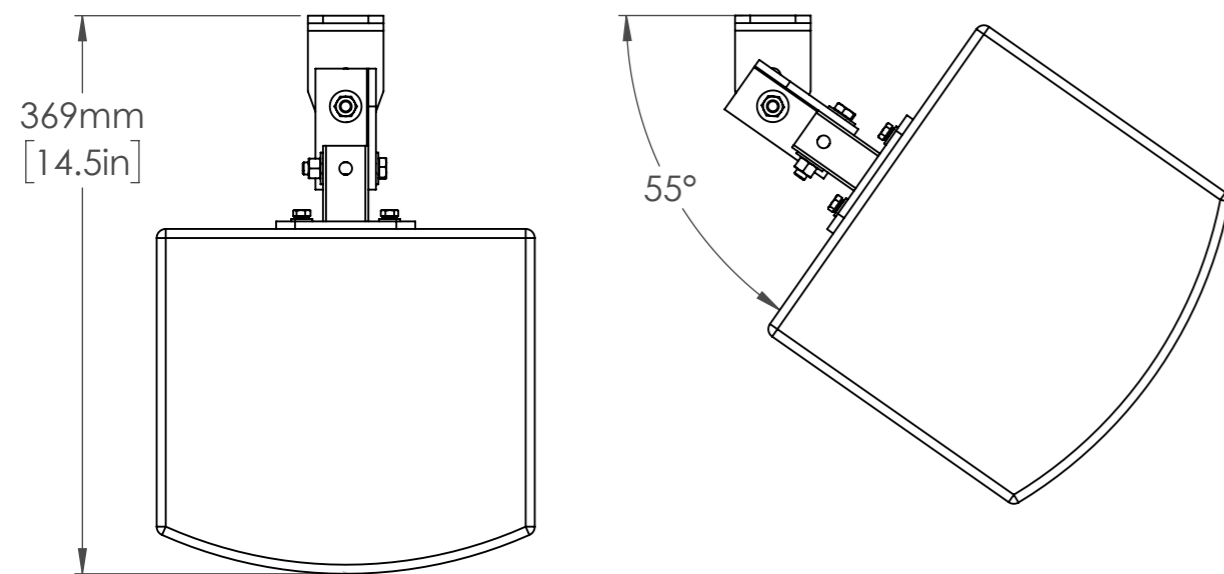
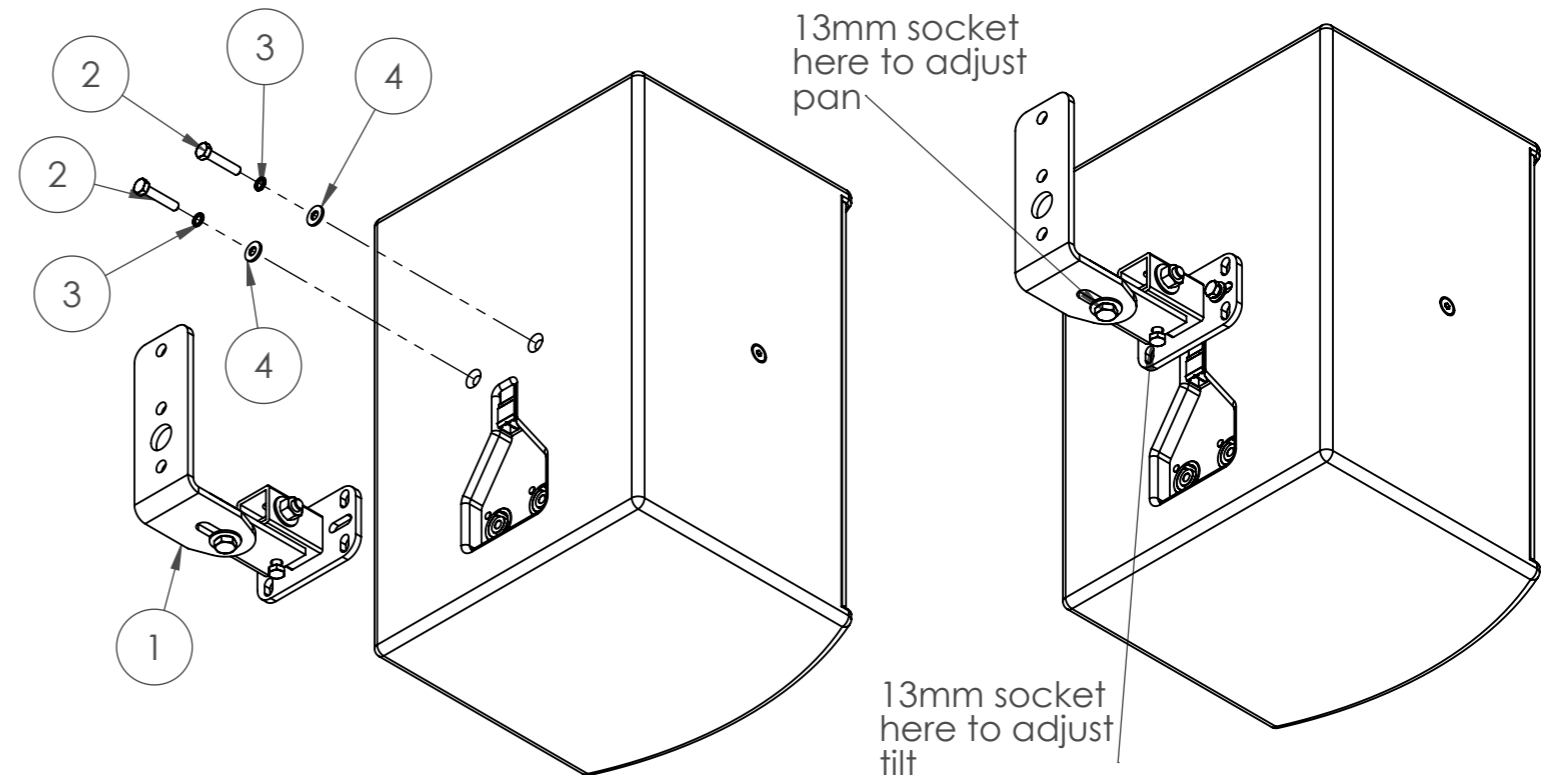
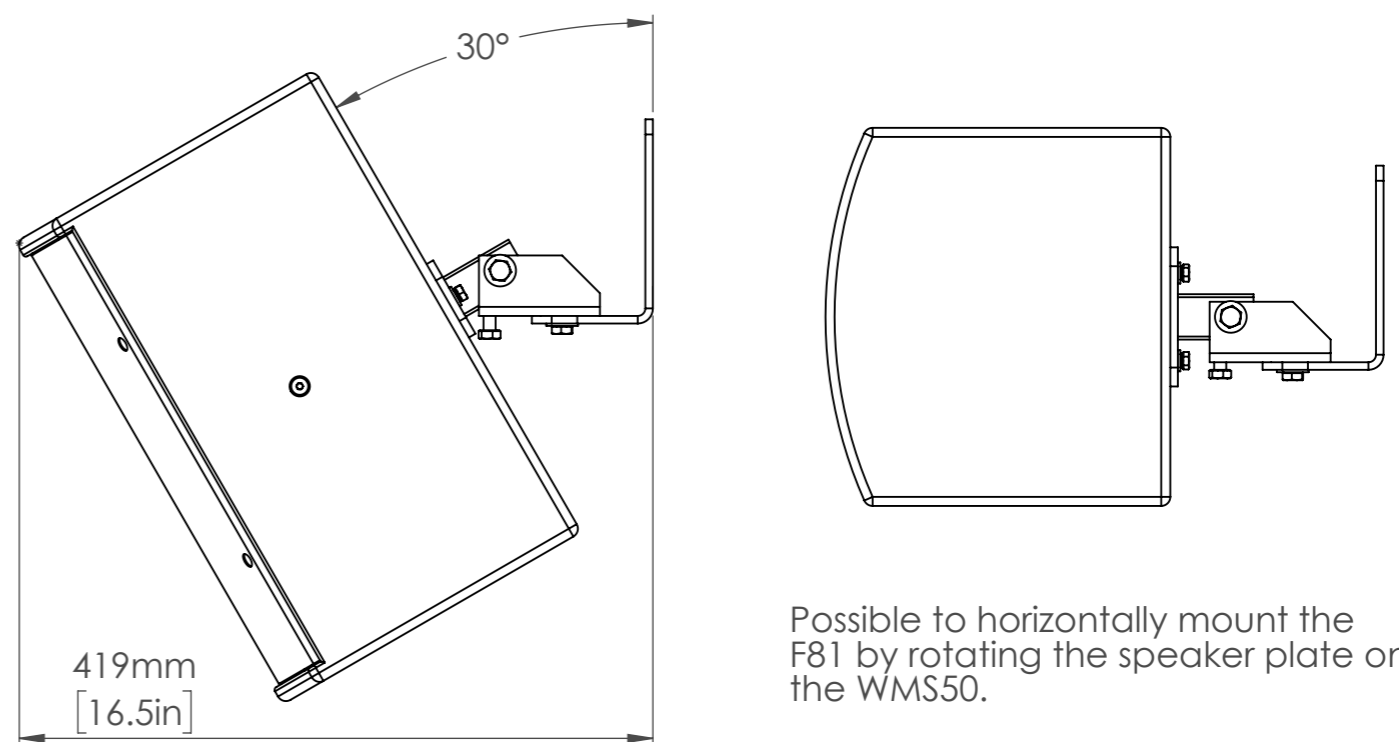


ITEM	DESCRIPTION	QUANTITY
1	WMS50 - F81 WALL MOUNT BRACKET	1
2	M6 X 30mm HEX BOLT	2
3	M6 SPLIT WASHER	2
4	M6 C-FORM WASHER	2

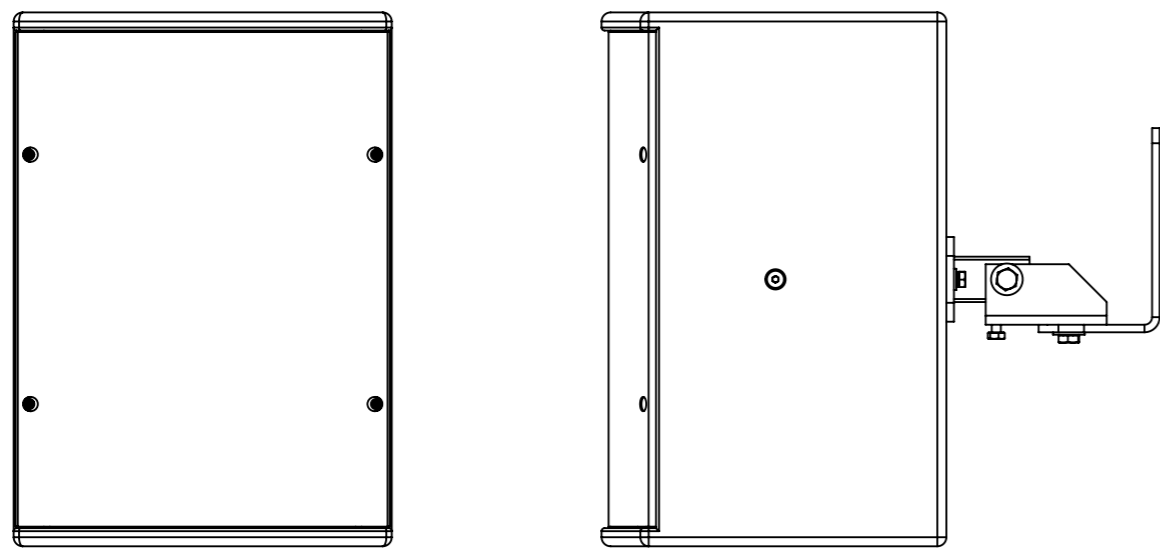


Remove 2 x M6 blanking bolts. WMS50 wall mount bracket is fitted directly to the F81 loudspeaker using 2 x M6 x 30mm hex bolts (10mm), M6 split washers and 2 x M6 c-form washers.

With no vertical tilt, maximum horizontal pan is 55°. This reduces when introducing tilt. Maximum vertical tilt is 30°



Possible to horizontally mount the F81 by rotating the speaker plate on the WMS50.



Funktion-One Research LTD
 Hoyle, Beare Green, Dorking, Surrey, RH5 4PS, UK
 mail@funktion-one.com +44 (0)1306 712820

Sheet: Overview
 Funktion-One Product Detail Drawing

A3 Sheet Scale: 1:5
 Drawn By: Mike Igglesden 16/12/2021
 Filename: F81+WMS50-F1-DD=T0060-00