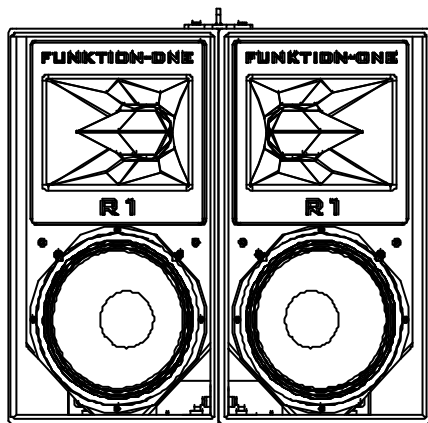
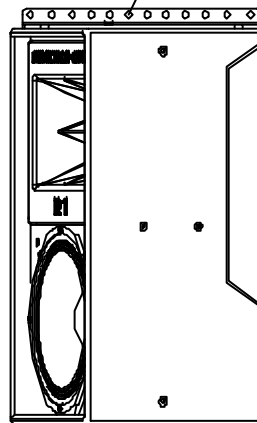


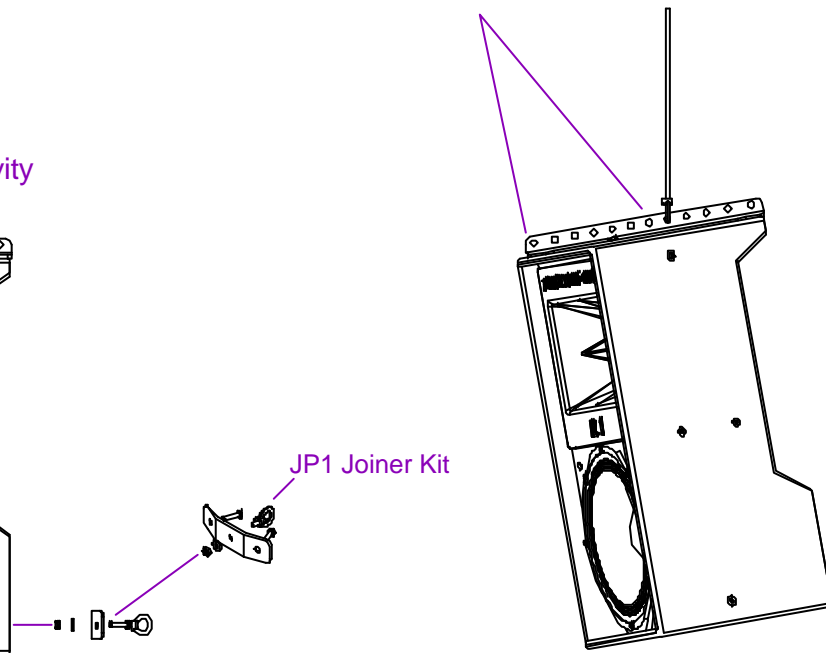
Tilt holes are at 10° increments



Centre Of Gravity

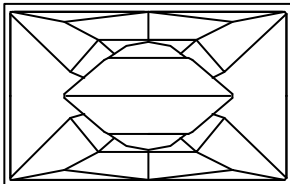


JP1 Joiner Kit



All dimensions in mm and inches

Copyright Funktion-One Research Ltd



FUNKTION-ONE

Hoyle, Horsham Road, Beare Green, Dorking, Surrey, RH5 4PS, England

Phone: +44 (0)1306 712820

Fax: +44 (0)1306 711240



mail@funktion-one.com

www.funktion-one.com

Accessories for: Resolution 1

TB1 - T-Bar to fly two R1s (bar only) - needs JP1 joiner kit

JP1-K1 - Back joiner for pair of R1s, including eyebolt and bolts to attach to R1

JP1-K2 - Back joiner for pair of R1s, including eyebolt and handwheel bolts to attach to R1